

SLC Series Loadcells for DFS-R-ND Series

Specification Sheet
SS-FM-3015-0506
May 2006

The CHATILLON® SLC Series loadcells are full-bridge strain gauge sensors complete with 15-pin plug. These loadcells are used exclusively with the Chatillon DFS-R-ND Series digital indicator. The loadcell values and sensitivity factors are stored in memory within the sensor plug. When connected to a DFS-R-ND indicator, the capacity and calibration points are automatically recognized by the instrument. The instrument then becomes a full-featured load measurement instrument. The loadcells are connected to the DFS-R-ND with a retractable cord that extends fully to nearly 9 ft. (3 m).

Remote Sensors- Load Measurement

DFS-R-0200 with Dedicated SLC Sensor

	Model	ozf	gf	lbf	kgf	N	Deflection	Accuracy
Low	SLC-250G	8 x 0.002	250 x 0.05	0.5 x 0.0001	0.25 x 0.0001	2.5 x 0.0005	0.013 ±0.004	±0.25%
	SLC-0002	32 x 0.005	1000 x 0.1	2 x 0.0002	1 x 0.0001	10 x 0.001	0.013 ±0.004	±0.25%
	SLC-0010	160 x 0.02	5000 x 0.5	10 x 0.001	5 x 0.0005	50 x 0.005	0.013 ±0.004	±0.25%
	SLC-0025	400 x 0.05	10,000 x 1	25 x 0.002	10 x 0.001	100 x 0.01	0.015 ±0.004	±0.25%
	SLC-0050	800 x 0.1	25,000 x 2	50 x 0.005	25 x 0.002	250 x 0.02	0.006 ±0.003	±0.25%
High	SLC-0100	1600 x 0.2	50,000 x 5	100 x 0.01	50 x 0.005	500 x 0.05	0.008 ±0.003	±0.25%
	SLC-0200	-	-	200 x 0.02	100 x 0.01	1000 x 0.1	0.008 ±0.003	±0.25%
	SLC-0500	-	-	500 x 0.05	250 x 0.02	2500 x 0.2	0.008 ±0.003	±0.25%
	SLC-1000	-	-	1000 x 0.1	500 x 0.05	5000 x 0.5	0.012 ±0.003	±0.25%
	SLC-2000	-	-	2000 x 0.2	1000 x 0.1	10000 x 1	0.018 ±0.003	±0.5%
	SLC-5000	-	-	5000 x 0.5	2500 x 0.2	25000 x 2	0.013 ±0.003	±0.5%
SLC-10000	-	-	10000 x 1	5000 x 0.5	50000 x 5	0.011 ±0.003	±0.5%	

Specifications

Input Resistance:	1000 ohms ±100
Output Resistance:	1000 ohms ±100
Rated Output:	2.0 mV/V
Safe Overload:	150% Full Scale
Non-Linearity:	±0.05% Full Scale
Hysteresis:	±0.05% Full Scale
Zero Balance:	±1.0% Full Scale
Operating Temp:	30° to 120°F (-40° to 82°C)

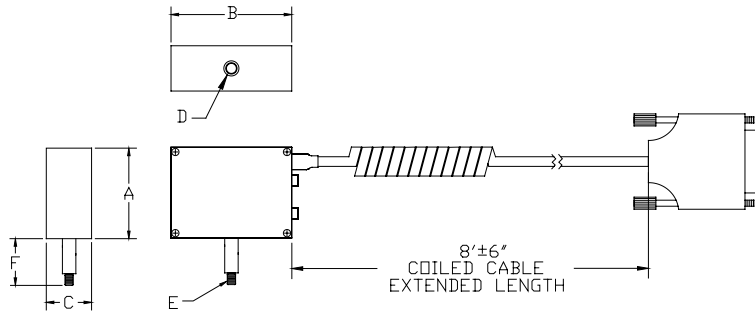


You Get More with Your CHATILLON Gauge.

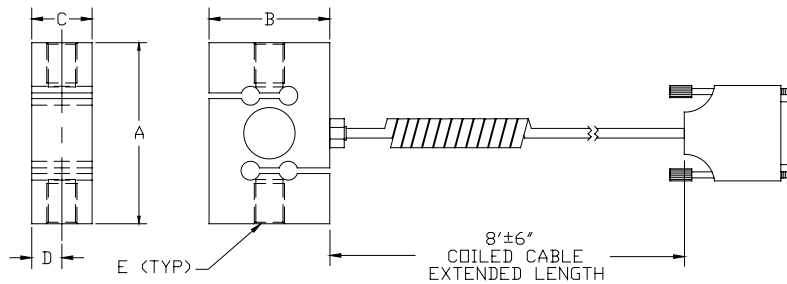
Chatillon >K

A registered trademark of AMETEK Inc.

Dimensions - SLC Series

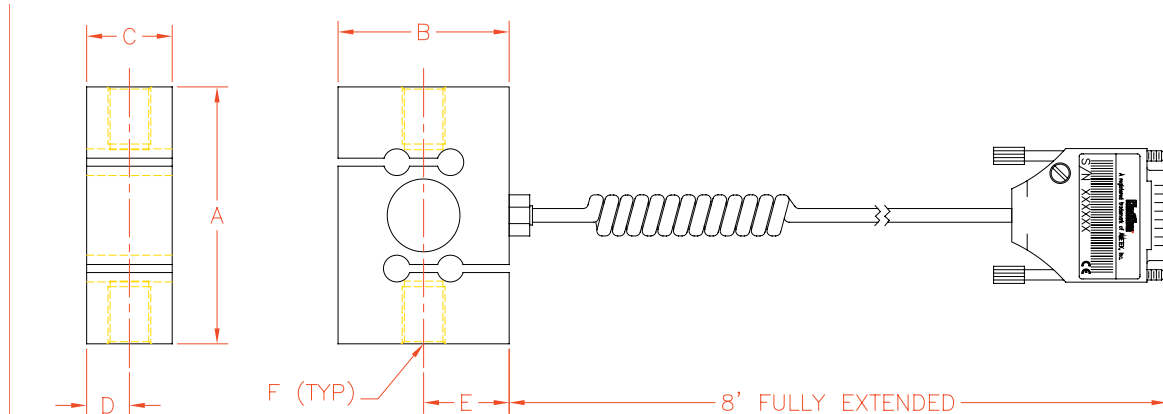


25 LBF	1.50 [38.1]	2.00 [50.8]	.75 [19.0]	#10-32	#10-32	.75
10 LBF	1.50 [38.1]	2.00 [50.8]	.75 [19.0]	#10-32	#10-32	.75
2 LBF	1.50 [38.1]	2.00 [50.8]	.75 [19.0]	#10-32	#10-32	.75
250 G	1.50 [38.1]	2.00 [50.8]	.75 [19.0]	#10-32	#10-32	.75
CAPACITY	A	B	C	D FEMALE THREAD	E MALE THREAD	F



1000 LBF	2.98 [75.7]	2.50 [63.5]	.98 [24.9]	.49 [12.4]	1/2-20
500 LBF	2.98 [75.7]	2.00 [50.8]	.98 [24.9]	.49 [12.4]	1/2-20
200 LBF	2.48 [63.0]	2.00 [50.8]	.61 [15.5]	.31 [7.9]	1/4-28
100 LBF	2.48 [63.0]	2.00 [50.8]	.61 [15.5]	.31 [7.9]	1/4-28
50 LBF	2.48 [63.0]	2.00 [50.8]	.61 [15.5]	.31 [7.9]	1/4-28
CAP.	A	B	C	D	E THREAD

E96-355



50 KN	3.937±.015	3.00	1.43	.718	1.500	3/4-16
25 KN	3.937±.015	2.75	1.19	.594	1.375	3/4-16
10 KN	3.437±.015	2.25	.94	.469	1.125	1/2-20
CAPACITY	A	B	C	D	E	F THREAD

E96-383



US GAUGE DIVISION

For the authorized Chatillon Distributor or Manufacturer's Representative near you, go to www.chatillon.com

Americas
AMETEK US Gauge Division
8600 Somerset Drive
Largo, Florida 33773
United States of America
Tel +1-727-536-7831
Tel +1-800-527-9999
Fax +1-727-539-6882
Email chatillon.fl-lar@ametek.com

United Kingdom
Lloyd Instruments Ltd.
12 Barnes Wallis Road
Segensworth East
Fareham
Hants, PO15 5TT
United Kingdom
Tel +44 (0) 1489 486 399
Fax +44 (0) 1489 885 118
Email uk-far.general@ametek.co.uk

France
AMETEK S.A.S.
Rond Point de l'Épine des Champs
Buro Plus - Bat. D
78990 Elancourt
France
Tel +33 (0)1 30 68 89 40
Fax +33 (0)1 30 68 89 49
Email
general.lloyd-instruments@ametek.fr

Germany
AMETEK GmbH
Rudolf-Diesel-Strasse 16
D-40670 Meerbusch
Germany
Tel +49 (0)2159 9136-70
Fax +49 (0)2159 9136-39
Email info@ametek.de

Singapore
AMETEK Singapore Pvt. Ltd.
10 Ang Mo Kio Street 65
#05-12 Techpoint
Singapore 569059
Tel +65-484-2388
Fax +65-481-6588
Email aspl@ametek.com.sg

Visit Us on the Worldwide Web at:
www.chatillon.com

© 2006 by AMETEK, Inc.

Information within this document is subject to change without notice.



ISO 9001/2000
ISO/IEC17025
Manufacturer